



Flush-mount LCD
multimeters.
expandable
DMG600
Three-phase +
neutral

Product designation

Product type designation

Type

Auxiliary supply Us

Auxiliary rated supply voltage AC	VAC	100...440
Auxiliary rated supply voltage DC	VDC	120...250
Auxiliary operating voltage range		
AC		
	min	VAC 90
	Max	VAC 484
DC		
	min	VDC 93.5
	Max	VDC 300

Operational frequency			
	min	Hz	45
	max	Hz	66

Power consumption	Max	VA	9.5
-------------------	-----	----	-----

Power dissipation Max		W	3.5
-----------------------	--	---	-----

Measuring voltage inputs

Rated voltage (Ue)			
	phase-phase	VAC	600
	phase-neutral	VAC	300

Operating voltage range			
	phase-phase	VAC	50...720
	phase-neutral	VAC	30...360

Voltage inputs operational frequency			
	min	Hz	45
	max	Hz	66

Voltage inputs measurement method			True RMS
-----------------------------------	--	--	----------

Connection method			Single. two. three-phase with or without neutral. balanced three- phase system
-------------------	--	--	--

Current inputs

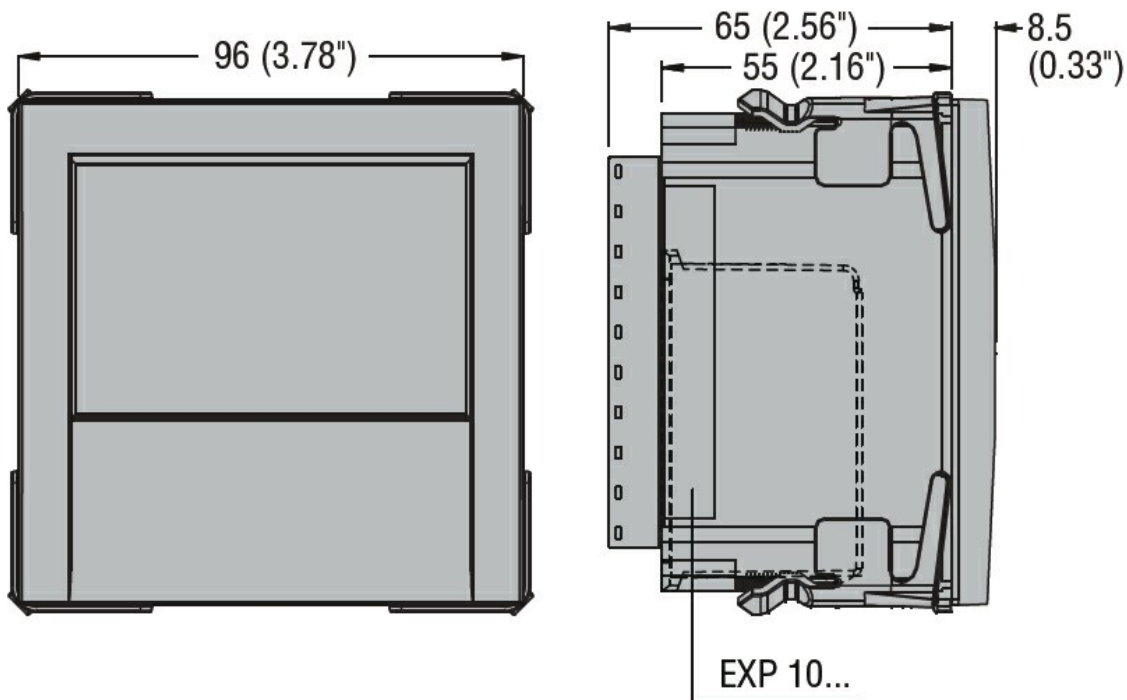
Rated current (Ie)	A	1A/5A
--------------------	---	-------

Measurement range		0.01...1.2 / 0.01...6
-------------------	--	--------------------------

Measurement method		TRMS
--------------------	--	------

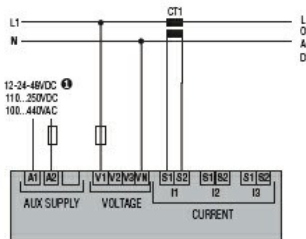
Overload capacity		+20% Ie by external CT with 5A secondary
-------------------	--	--

Overload peak		A	50A for 1s
Accuracy			
Measurement conditions (T +23°C ±1°C / Rel. Humidity 45 ±15% R.H.)			
	VLN voltage		±0.5%
	VLL voltage		±0.5%
	current		±0.5%
	frequency		±0.05%
	active power		±0.5%
	active energy		Class 1 (IEC/EN/BS 62053-21)
	reactive energy		Class 2 (IEC/EN 62053-23)
Insulations			
Rated insulation voltage Ui IEC/EN		V	600
Rated impulse withstand voltage Uimp		kV	9.5
Operating frequency withstand voltage		kV	5.2
Mechanical features			
Housing type			Polyamide
Terminals type			Removable
Conductor cross section			
	min	mm ²	0.2
	Max	mm ²	2.5
	min	AWG	24
	Max	AWG	12
Tightening torque (Max)		Nm	0.5
		lbin	4.5
Fixing			Flush-mounting
Weight		g	300
Ambient conditions			
Temperature			
	Operating temperature		
		min	°C -20
		max	°C +60
	Storage temperature		
		min	°C -30
		max	°C +80
Relative humidity		%	<90
Maximum Pollution degree			2
Protection degree			IP54
Dimensions			

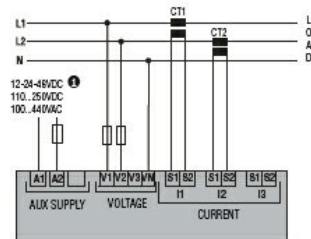


Wiring diagrams

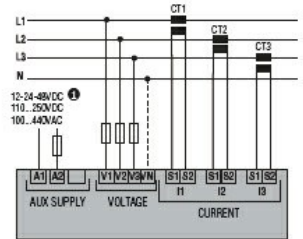
MULTIMETERS
Single-phase



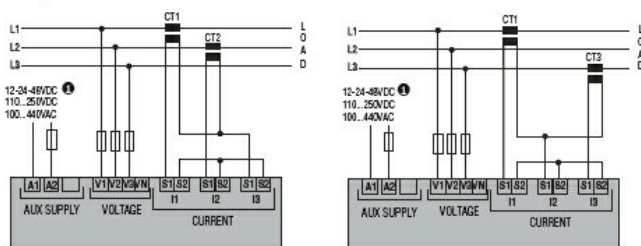
Two-phase



Three-phase with or without neutral



Three-phase without neutral in ARON connection



Certifications and compliance

Compliance

CSA 22.2 n°61010-1

IEC/EN 61000-6-2

IEC/EN 61000-6-3

IEC/EN 61010-1

IEC/EN 61010-2-030

UL61010-1

Certificates

cULus

EAC

GOST

RCM

ETIM classification

ETIM 8.0

EC002301 -
Multifunction
measuring
instrument