



Expansion modules for flush-mount products - input/output EXP1000

Product designation

Product type designation

**General characteristics**

Description	4 digital inputs, opto-isolated		
Functions	Inputs and outputs		
Rated power supply voltage	0		
Compatibility with LOVATO Electric product			
Digital multimeters	DMG 600/601/611		Yes
	DMG 700		Yes
	DMG 800		Yes
Digital power analyzers	DMG 900		Yes
	DMG 900T		Yes
Automatic power factor controllers	DCRL 8		0
	DCRG 8		Yes
Automatic transfer switch controllers	ATL610		Yes
	ATL 800/900		Yes
Fire pump controllers	FFL RA 400		Yes
Engine and generator controllers	RGK 750 / RGK 8 / RGK 9		Yes

**Input and Output**

Digital inputs	Number of digital input	Nr.	4
	Digital input type		Opto-isolated
Digital outputs	Number of digital output	Nr.	0

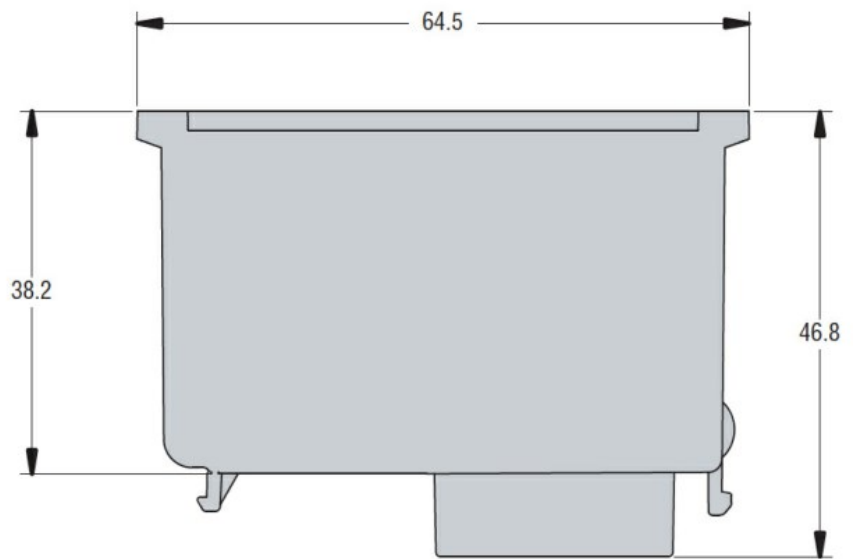
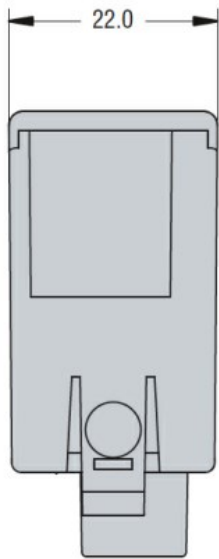
**Monitoring method**

Device setup and supervision	0
------------------------------	---

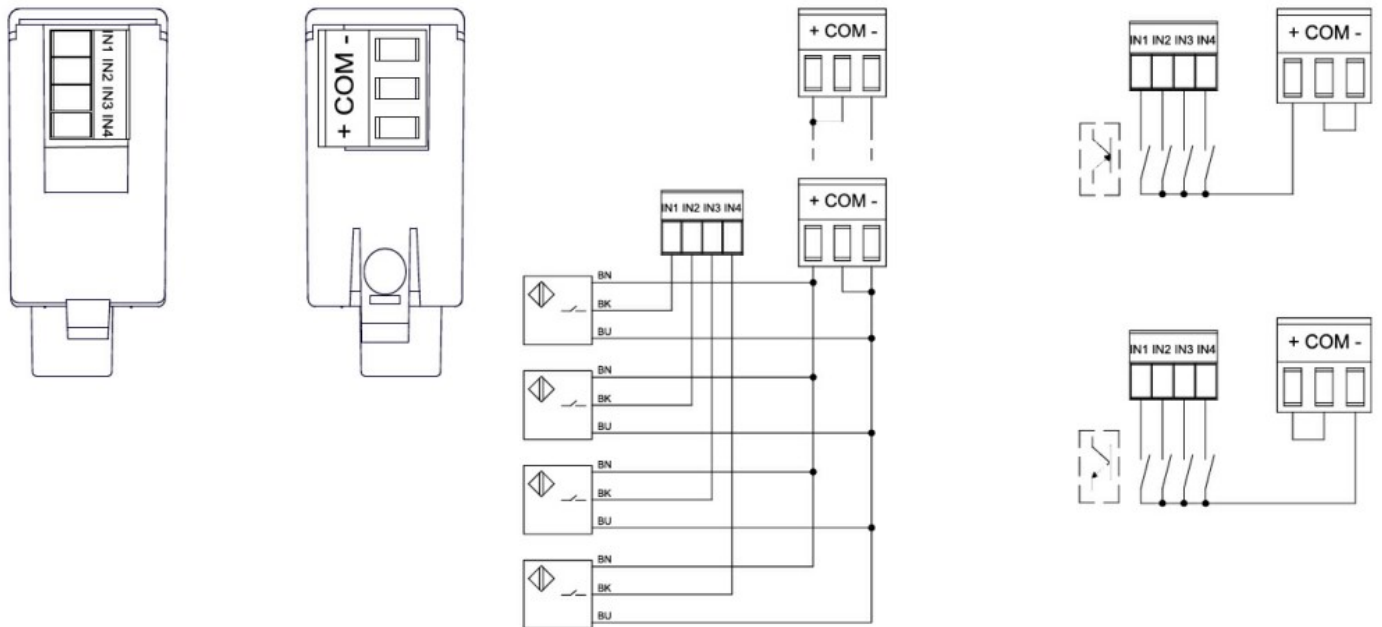
**Mechanical features**

Weight	g	60
--------	---	----

**Dimensions**



**Wiring diagrams**



**Certifications and compliance**

**Compliance**

CSA C22.2 n° 14  
IEC/EN 61000-6-2  
IEC/EN 61000-6-3  
IEC/EN 61010-1  
UL508

**Certificates**

cULus  
EAC

**ETIM classification**

ETIM 8.0

EC002498 -  
Accessories/spare  
parts for low-  
voltage switch  
technology