



Expansion modules for flush-mount products - communication port EXP1012

Product designation

Product type designation

General characteristics

Description

Opto-isolated RS485 interface

Functions

Communication ports

Compatibility with LOVATO Electric product
IP

PMVF20	Yes
PMVF30	Yes

Digital multimeters

DMG 600/601/611	Yes
DMG 800	Yes

Digital power analyzers

DMG 900	Yes
DMG 900T	Yes

Automatic power factor controllers

DCRL 3/5	Yes
DCRG 8	Yes

Automatic transfer switch controllers

ATL610	Yes
ATL 800/900	Yes

Fire pump controllers

FFL RA 400	Yes
------------	-----

Engine and generator controllers

RGK 610	Yes
RGK 750 / RGK 8 / RGK 9	Yes

Communications

Type of communication port

Serial

Interface

RS485 communication

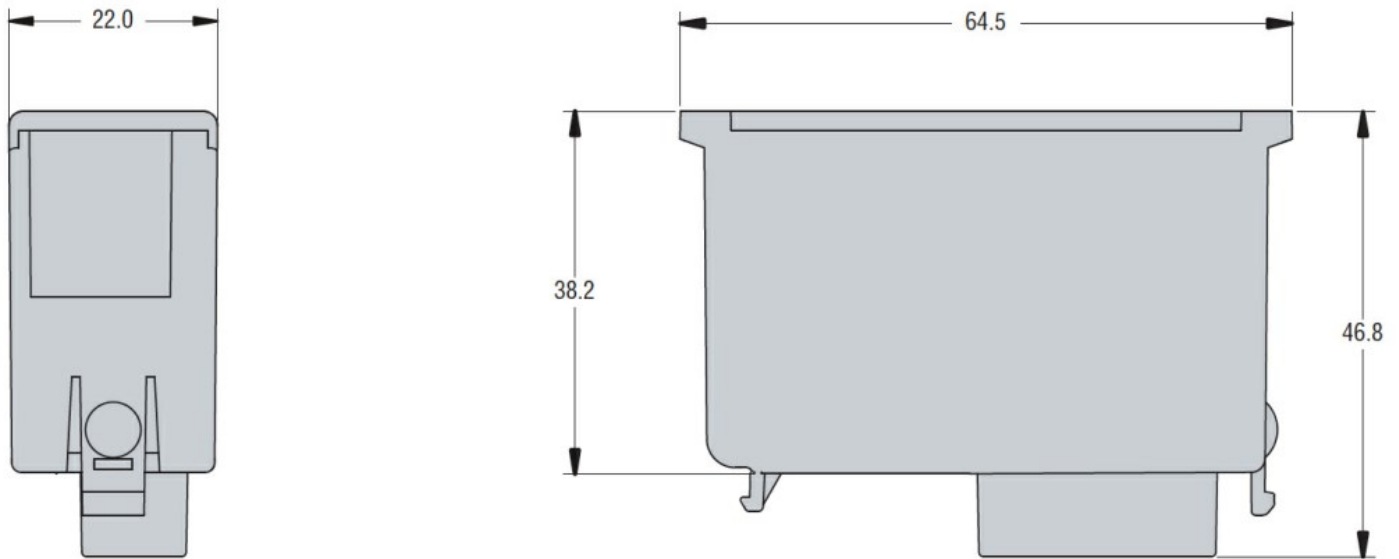
Yes

Mechanical features

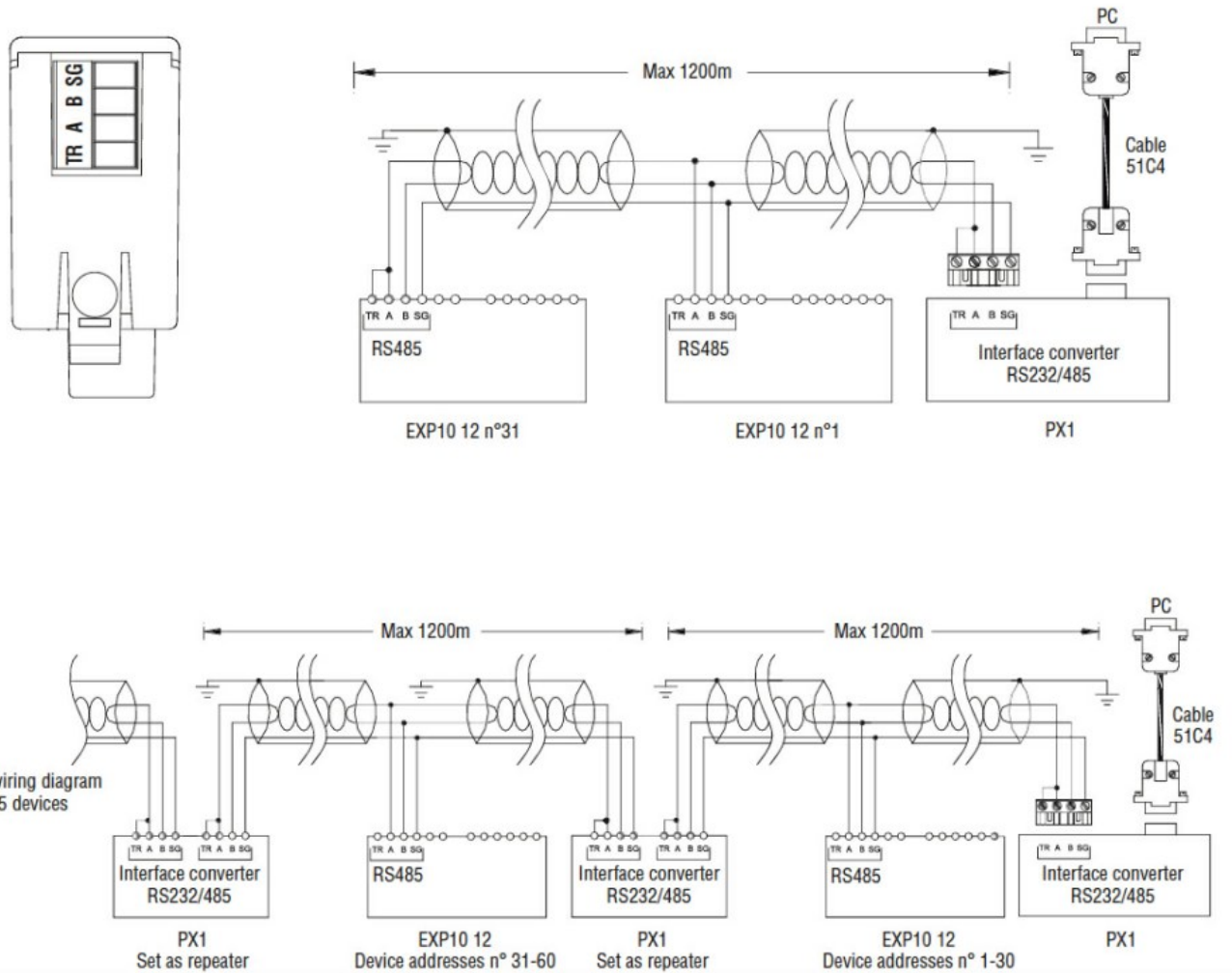
Weight

g 50

Dimensions



Wiring diagrams



Certifications and compliance

Compliance

- CSA C22.2 n° 14
- IEC/EN 61000-6-2
- IEC/EN 61000-6-3
- IEC/EN 61010-1
- UL508

Certificates

cULus

EAC

ETIM classification

ETIM 8.0

EC002498 -
Accessories/spare
parts for low-
voltage switch
technology