



Product designation				Switch disconnecter
Product type designation				GA
Number of poles		Nr.		3
Operating voltage type				AC
Contact characteristics				
IEC Conventional free air thermal current I _{th}		A		16
Rated insulation voltage U _i IEC/EN		V		1000
Rated impulse withstand voltage U _{imp}		kV		8
Operating current I _e				
AC21A				
	400V	A		16
	500V	A		16
	690V	A		16
AC22A				
	400V	A		16
	500V	A		16
	690V	A		16
AC23A				
	400V	A		16
	500V	A		16
	690V	A		16
Power dissipation per pole max		W		0.2
Rated operational power AC23A				
	400V	kW		7.5
	690V	kW		11
Conditional short-circuit current (rms)		kA		10
Short-circuit protection with fuse		Class/A		gG16
Making capacity AC23A 400V		A		400
Breaking capacity AC23A 400V		A		320
Mechanical life		cycles		100000
Electrical life AC21A		cycles		100000
Mechanical features				
Operating position		normal allowable		Vertical plan Any
Fixing				Screw / DIN rail 35mm
Terminals				
	type			Pillar
	width	mm		5.6
	height	mm		6.5
	screw			M4
	tool			Phillips 2
Tightening torque for terminals				

min	Nm	1.8
max	Nm	2
min	I _{bin}	16
max	I _{bin}	18

Conductor section

IEC min	mm ²	0.75
IEC max	mm ²	16
AWG/kcmil min		18
AWG/kcmil max		6

Ambient conditions

Operating temperature

min	°C	-25
max	°C	55

Storage temperature

min	°C	-40
max	°C	70

Max altitude

m	3000
---	------

Resistance & Protection

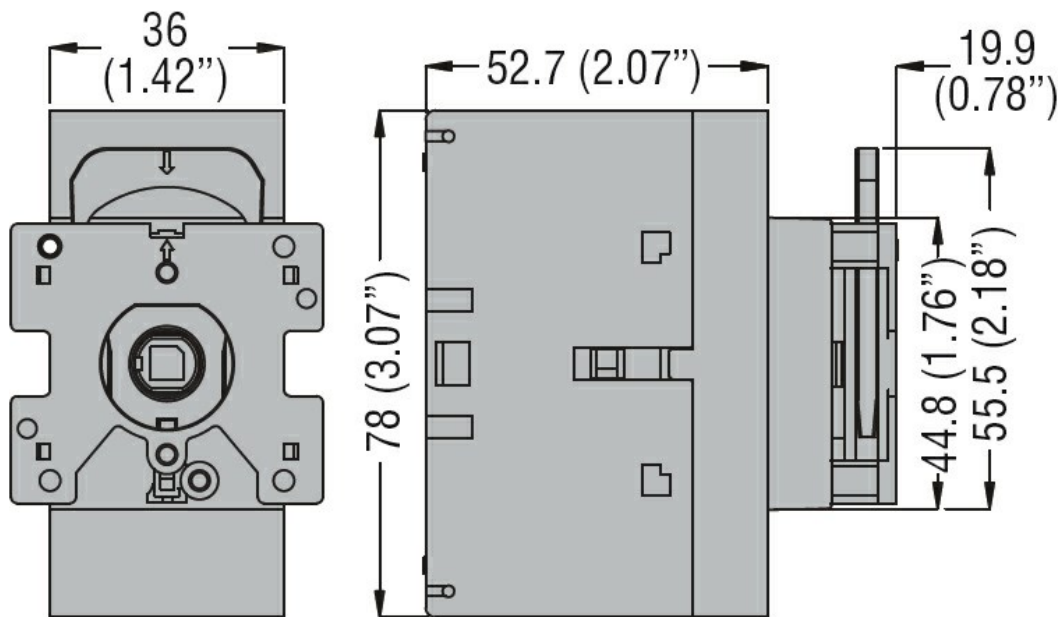
Frontal IP degree

IP20

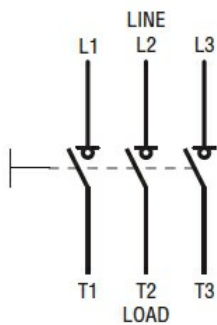
Pollution degree

3

Dimensions



Wiring diagrams



Certifications and compliance

Compliance

CSA C22.2 n°60947-4-1
IEC/EN 60947-1
IEC/EN 60947-3
UL60947-4-1

Certifications

CCC
CSA C22.2 n°60947-4-1
cULus according to UL60947-4-1
EAC
KEMA

ETIM classification

ETIM 8.0

EC000216 -
Switch
disconnecter