



Multifunction voltage and frequency monitoring relays with NFC technology
PMV95N

Product designation

Product type designation

General characteristics

Description

Minimum and maximum AC voltage and frequency, phase loss, neutral loss, incorrect phase sequence and asymmetry relay

Type of system

Three phase with/without neutral

Power supply

Auxiliary supply voltage U_s

Self powered

Operating voltage range

0.7...1.2 U_e

Rated frequency

Hz 50/60 $\pm 5\%$

Power consumption Max

VA 30

Power dissipation Max

W 2.5

Control circuit

Rated voltage to control (U_e)

min	VAC	208
Max	VAC	240

Voltage set-point (% U_e)

min	%	80...95
Max	%	105...115

Asymmetry set-point (% U_e)

% 5...15

Frequency set-point (% rated frequency)

min	%	90...99
Max	%	101...110

Tripping delay

s 0.1...30

Resetting time

s 0.1...30

Resetting hysteresis

% 1...5

Instantaneous tripping for U_e

Voltage <70% U_e

Type of reset

Automatic or manual

Repeat accuracy

% ± 0.1

Relay outputs

Number of relays

N° 1

Relay state		Normally energised De-energises at tripping
Contact arrangement		1 changeover SPDT
Rated operational voltage AC (IEC)	VAC	250
Maximum switching voltage	VAC	400
IEC Conventional free air thermal current I _{th}	A	8
UL/CSA and IEC/EN 60947-5-1 designation		B300
Electrical life (with rated load)	cycles	100000
Mechanical life	cycles	30000000

Indications

Indication		1 green LED for power and 5 red LEDs for tripping
------------	--	---

Connections

Terminals type		Screw
Tightening torque for terminals		
	max	Nm 0.8
	max	Ibin 7

Conductor cross section

AWG/Kcmil	min	AWG	24
	Max	AWG	12
IEC	min	mm ²	0.2
	Max	mm ²	4

Insulations

Rated insulation voltage U _i	V	600
Rated impulse withstand voltage U _{imp}	kV	6
Operating frequency withstand voltage	kV	4

Ambient conditions

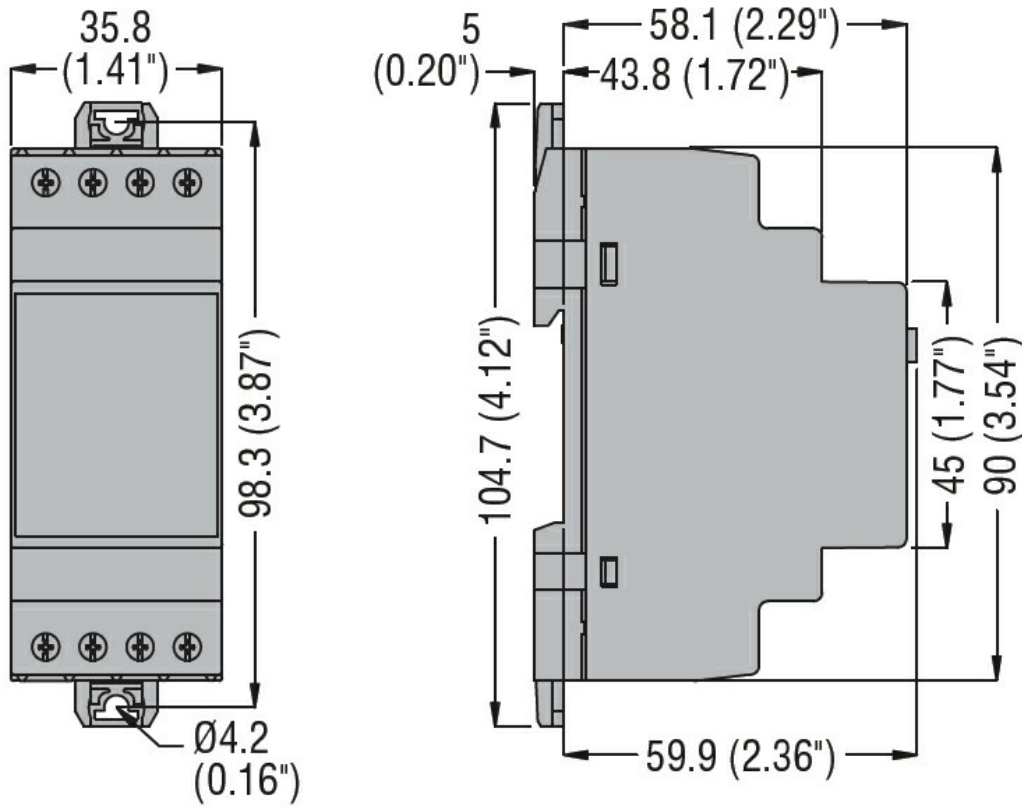
Temperature

Operating temperature	min	°C	-20
	max	°C	+60
Storage temperature	min	°C	-30
	max	°C	+80

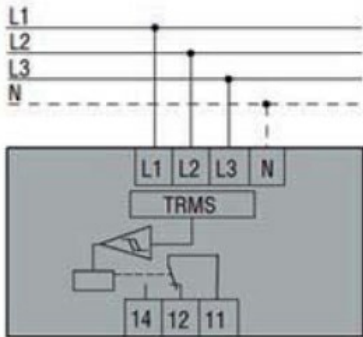
Housing

Execution (n° of modules)		2
Material		Self-extinguishing polyamide
Mounting		35mm DIN rail (IEC/EN 60715)
IEC degree of protection		IP40 on front; IP20 at terminals
Dimensions (W x H x D)	mm	35.8 x 104.7 x 64.9
Weight	g	130

Dimensions



Wiring diagrams



Certifications and compliance

Compliance

CSA C22.2 n°14
IEC/EN 60255-26
IEC/EN 60255-27
UL508

Certificates

cULus
EAC

ETIM classification

ETIM 8.0

EC001438 -
Voltage
monitoring relay